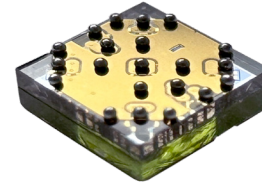


PRODUCT BRIEF

MM5230

DC to 26 GHz High Power RF Switch



The MM5230 device is a high-power and wide frequency range SP4T micro-mechanical switch. The 2.5 x 2.5 mm package with solder balls makes for the ideal combination of small size, high performance, and easy assembly.

The MM5230 provides ultra-low insertion loss and high power handling as an SP4T from DC to 18 GHz, and a lifetime of greater than 3 billion switching cycles.

The MM5230 can also be configured in Super-Port mode that extends the frequency operation to 26 GHz. The MM5230 is an ideal solution for replacing large RF electromechanical relays, as well as RF/microwave solid-state switches in applications where linearity and insertion loss are critical parameters. The four switch channels are individually controllable by applying a gate voltage to the corresponding RF GATE pin.

FEATURES

- DC to 26 GHz Frequency Range
- 25 W (CW), 150 W (Pulsed) Max Power Handling
- Low On-State Insertion Loss: 0.3 dB @ 6.0 GHz
- <10 μ s Switching Time
- 25 dB Isolation @ 6.0 GHz / 42 dB Super-Port Mode
- High Reliability > 3.0 x 10⁹ Switching Operations
- 2.5 mm x 2.5 mm WLCSP Package (200 μ m Solder Ball)

APPLICATIONS

- Switched Filter Banks and Tunable Filters
- High Power RF Front Ends
- Antenna Tuning
- Low-Loss Switch Matrices & EM Relay Replacement

MARKETS

- Defense and Aerospace
- Medical Equipment
- Test and Measurement
- Wireless Infrastructure

FIG. 1 Wafer Level Chip Scale Package

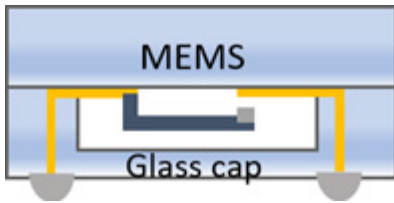


FIG. 2 Functional Block Diagram

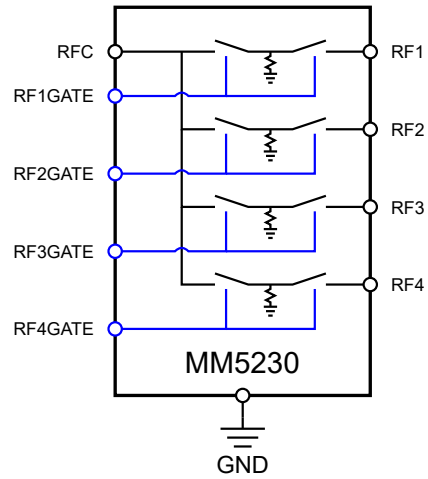


FIG. 3 MM5230

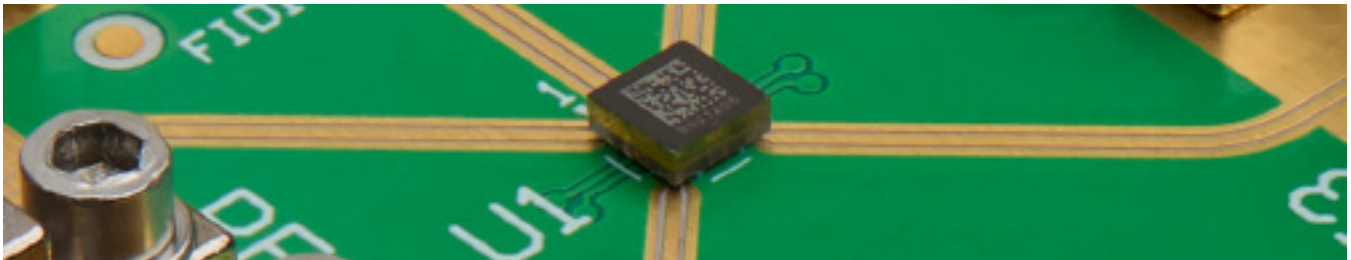
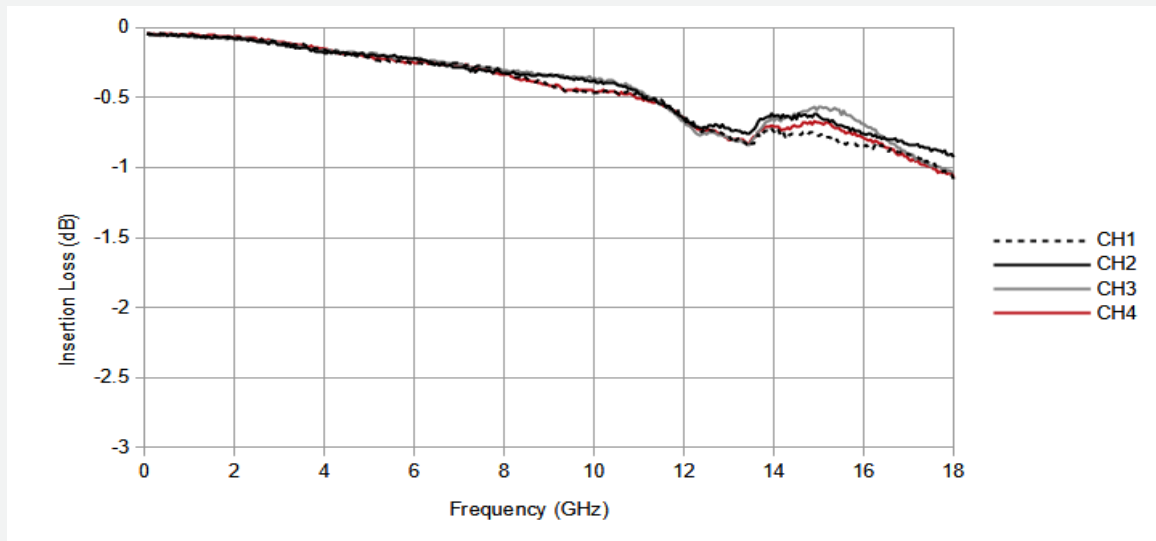


FIG. 4 MM5230 IL vs. Frequency



49 Discovery, Suite 100, Irvine, CA 92618

+1 (949) 771-0277 MenloMicro.com



© Menlo Microsystems, Inc. All rights reserved